

# MOBILE UNITS LTD

Innovation solutions for Your business



## STREET FOOD KIOSKS & CONTAINERS



# MOBILE UNITS LTD

Innovation solutions for Your business



## STREET FOOD KIOSKS & CONTAINERS



## DIMENSIONS OPTIONS

**Length:** From 3 m to 10 m (10ft to 32 ft)


**Width:** From 2.5 m to 3.0 m (8ft to 10ft)

These are available as single-module options.

# KEY FEATURES OF OUR PRODUCTS

- **Versatile Shapes and Sizes:** Tailored to match the unique requirements of your food business—perfect for any type of food operation!
- **Customizable Color Options:** Choose colors that align with your brand identity and make a lasting impression.
- **Year-Round Usability:** Fully insulated to ensure comfort and functionality in all seasons.
- **High-Quality Materials:** Featuring hygienic, certified internal wall finishes for a clean and professional environment.
- **Durable Steel Structure:** Designed with four eye bolts on the roof, allowing easy relocation —move from one trading spot to another hassle-free!
- **Expert Guidance Included:** Benefit from our extensive knowledge on where and how to start your food business—all included in the price!

## Contact us!

 07551 398823

 [info@mobileunits.co.uk](mailto:info@mobileunits.co.uk)

 [www.mobileunit.co.uk](http://www.mobileunit.co.uk)

Scan the code and find us!



 Access RD, Common Ln, Retford, DN22 8LW, UK

KIOSK – SUITABLE FOR ALL CATERING APPLICATIONS.  
EXPLORE OUR WIDE RANGE OF KIOSKS AVAILABLE  
FOR SALE TO ENHANCE YOUR BUSINESS!

# “Hedwig” 3M X 2,5M (7,5 SQM)/10ft x 8ft (80ft<sup>2</sup>)



07551 398823



info@mobileunits.co.uk



www.mobileunits.co.uk

KIOSK – SUITABLE FOR ALL CATERING APPLICATIONS.  
EXPLORE OUR WIDE RANGE OF KIOSKS AVAILABLE  
FOR SALE TO ENHANCE YOUR BUSINESS!

# “JACK” 3M X 2,5M (7,5 SQM)/10ft x 8,2 ft (82ft<sup>2</sup>)



07551 398823



info@mobileunits.co.uk



www.mobileunits.co.uk

KIOSK – SUITABLE FOR ALL CATERING APPLICATIONS.  
EXPLORE OUR WIDE RANGE OF KIOSKS AVAILABLE  
FOR SALE TO ENHANCE YOUR BUSINESS!

**“Aurora” 3M X 2,5M (7,5 SQM)/10ft x 8,2 ft (82ft<sup>2</sup>)**



07551 398823



info@mobileunits.co.uk



www.mobileunits.co.uk

KIOSK – SUITABLE FOR ALL CATERING APPLICATIONS.  
EXPLORE OUR WIDE RANGE OF KIOSKS AVAILABLE  
FOR SALE TO ENHANCE YOUR BUSINESS!

**“Allison” 3M X 2,5M (7,5 SQM)/10ft x 8,2 ft (82ft<sup>2</sup>)**



07551 398823



info@mobileunits.co.uk



www.mobileunits.co.uk

KIOSK – SUITABLE FOR ALL CATERING APPLICATIONS.  
EXPLORE OUR WIDE RANGE OF KIOSKS AVAILABLE  
FOR SALE TO ENHANCE YOUR BUSINESS!

## **“Amelia” 2,5M X 2,2M (5,5SQM)/8ft x 7 ft (56ft<sup>2</sup>)**



07551 398823



info@mobileunits.co.uk



www.mobileunits.co.uk

KIOSK – SUITABLE FOR ALL CATERING APPLICATIONS.  
EXPLORE OUR WIDE RANGE OF KIOSKS AVAILABLE  
FOR SALE TO ENHANCE YOUR BUSINESS!

**“Alexis” 3M X 2,5M (7,5 SQM) / 10ft x 8,2 ft (82ft<sup>2</sup>)**



07551 398823



info@mobileunits.co.uk



www.mobileunits.co.uk

KIOSK – SUITABLE FOR ALL CATERING APPLICATIONS.  
EXPLORE OUR WIDE RANGE OF KIOSKS AVAILABLE  
FOR SALE TO ENHANCE YOUR BUSINESS!

## “Alice” 3M X 2,5M (7,5 SQM)/10ft x 8,2 ft (82ft<sup>2</sup>)



07551 398823



info@mobileunits.co.uk



www.mobileunits.co.uk



KIOSK – SUITABLE FOR ALL CATERING APPLICATIONS.  
EXPLORE OUR WIDE RANGE OF KIOSKS AVAILABLE  
FOR SALE TO ENHANCE YOUR BUSINESS!

**“Amber” 4M X 2,5M (10SQM)/13ft x 8 ft (104ft<sup>2</sup>)**



07551 398823



info@mobileunits.co.uk



www.mobileunits.co.uk

KIOSK – SUITABLE FOR ALL CATERING APPLICATIONS.  
EXPLORE OUR WIDE RANGE OF KIOSKS AVAILABLE  
FOR SALE TO ENHANCE YOUR BUSINESS!

**“Ellie” 4M X 2,5M (10SQM)/13ft x 8 ft (104ft<sup>2</sup>)**



07551 398823



info@mobileunits.co.uk



www.mobileunits.co.uk



KIOSK – SUITABLE FOR ALL CATERING APPLICATIONS.  
EXPLORE OUR WIDE RANGE OF KIOSKS AVAILABLE  
FOR SALE TO ENHANCE YOUR BUSINESS!

**“ANN” 4M X 2,5M (10SQM)/13ft x 8 ft (104ft<sup>2</sup>)**



07551 398823



info@mobileunits.co.uk



www.mobileunits.co.uk

KIOSK – SUITABLE FOR ALL CATERING APPLICATIONS.  
EXPLORE OUR WIDE RANGE OF KIOSKS AVAILABLE  
FOR SALE TO ENHANCE YOUR BUSINESS!

## “Cora” 4M X 2,5M (10SQM)/13ft x 8 ft (104ft<sup>2</sup>)



07551 398823



info@mobileunits.co.uk



www.mobileunits.co.uk

KIOSK – SUITABLE FOR ALL CATERING APPLICATIONS.  
EXPLORE OUR WIDE RANGE OF KIOSKS AVAILABLE  
FOR SALE TO ENHANCE YOUR BUSINESS!

## “Noah”

**5M X 2,5M (12,5SQM) /  
16ft x 8 ft (128ft<sup>2</sup>)**



07551 398823



info@mobileunits.co.uk



www.mobileunits.co.uk

KIOSK – SUITABLE FOR ALL CATERING APPLICATIONS.  
EXPLORE OUR WIDE RANGE OF KIOSKS AVAILABLE  
FOR SALE TO ENHANCE YOUR BUSINESS!

**“Leo”**  
**5M X 2,5M (12,5SQM)/**  
**16ft x 8 ft (128ft<sup>2</sup>)**



07551 398823



info@mobileunits.co.uk



www.mobileunits.co.uk

KIOSK – SUITABLE FOR ALL CATERING APPLICATIONS.  
EXPLORE OUR WIDE RANGE OF KIOSKS AVAILABLE  
FOR SALE TO ENHANCE YOUR BUSINESS!

**“Charles”**  
**5M X 2,5M (12,5SQM)/**  
**16ft x 8 ft (128ft<sup>2</sup>)**



07551 398823



info@mobileunits.co.uk

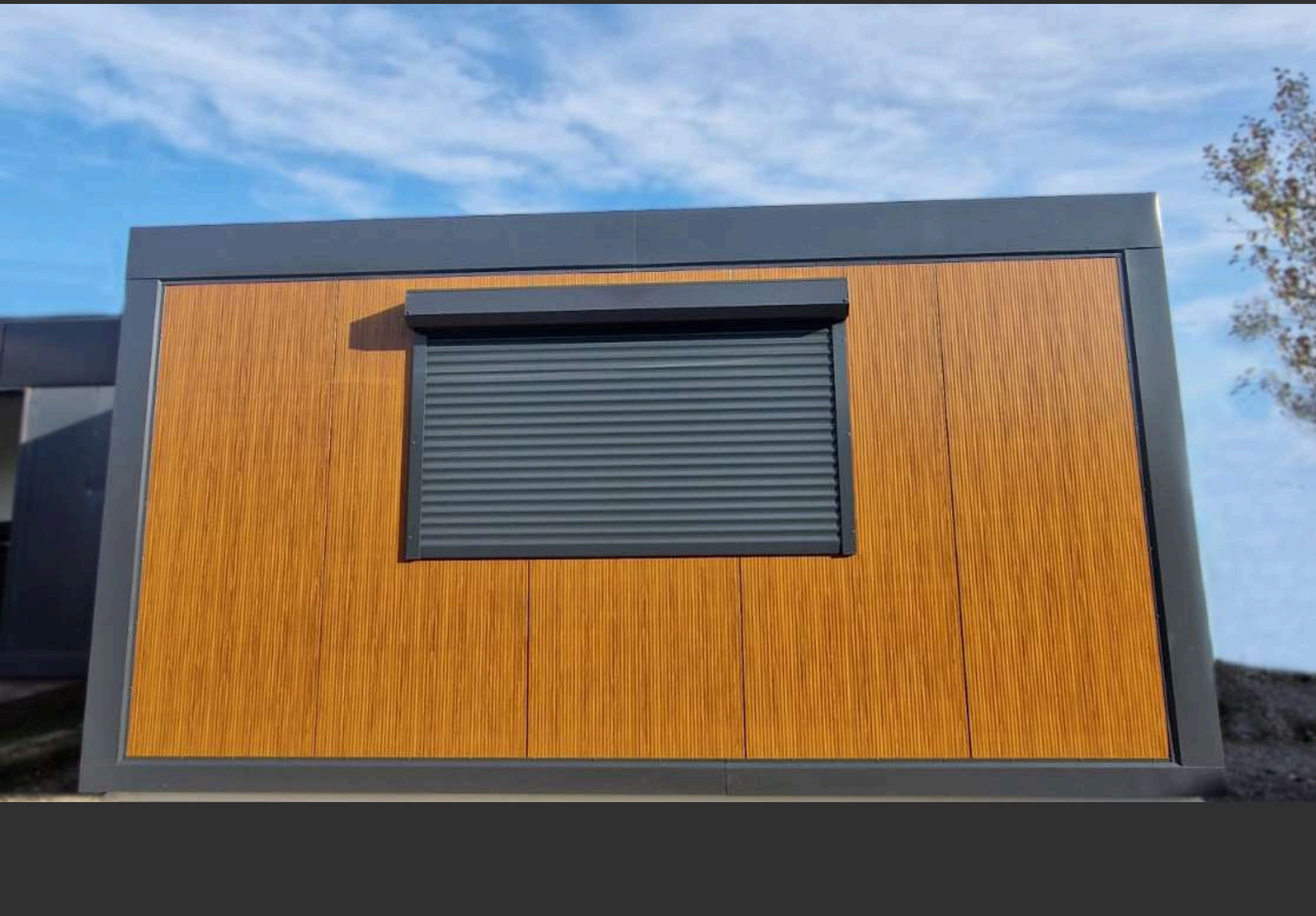


www.mobileunits.co.uk



KIOSK – SUITABLE FOR ALL CATERING APPLICATIONS.  
EXPLORE OUR WIDE RANGE OF KIOSKS AVAILABLE  
FOR SALE TO ENHANCE YOUR BUSINESS!

# “Jacob” 5M X 2,5M (12,5SQM) /16ft x 8 ft (128ft<sup>2</sup>)



07551 398823



info@mobileunits.co.uk



www.mobileunits.co.uk

KIOSK – SUITABLE FOR ALL CATERING APPLICATIONS.  
EXPLORE OUR WIDE RANGE OF KIOSKS AVAILABLE  
FOR SALE TO ENHANCE YOUR BUSINESS!

# “John” 5M X 2,5M (12,5SQM) / 16ft x 8 ft (128ft<sup>2</sup>)



07551 398823



info@mobileunits.co.uk



www.mobileunits.co.uk

KIOSK – SUITABLE FOR ALL CATERING APPLICATIONS.  
EXPLORE OUR WIDE RANGE OF KIOSKS AVAILABLE  
FOR SALE TO ENHANCE YOUR BUSINESS!

**“Cadence” 6M X 2,5M (15SQM)/20ft x 8 ft (160ft<sup>2</sup>)**



07551 398823



info@mobileunits.co.uk



www.mobileunits.co.uk

KIOSK – SUITABLE FOR ALL CATERING APPLICATIONS.  
EXPLORE OUR WIDE RANGE OF KIOSKS AVAILABLE  
FOR SALE TO ENHANCE YOUR BUSINESS!

**6M X 2,5M (15SQM)/  
20ft x 8 ft (160ft<sup>2</sup>)**



**“Barbara”**



07551 398823



info@mobileunits.co.uk



www.mobileunits.co.uk

KIOSK – SUITABLE FOR ALL CATERING APPLICATIONS.  
EXPLORE OUR WIDE RANGE OF KIOSKS AVAILABLE  
FOR SALE TO ENHANCE YOUR BUSINESS!

**“ANDREW” 6M X 2,5M (15SQM)**  
**20ft x 8 ft (160ft<sup>2</sup>)**



07551 398823



info@mobileunits.co.uk



www.mobileunits.co.uk

KIOSK – SUITABLE FOR ALL CATERING APPLICATIONS.  
EXPLORE OUR WIDE RANGE OF KIOSKS AVAILABLE  
FOR SALE TO ENHANCE YOUR BUSINESS!

**“LUIS” 6M X 2,5M (15SQM)/  
20ft x 8 ft (160ft2)**



07551 398823



info@mobileunits.co.uk



www.mobileunits.co.uk

KIOSK – SUITABLE FOR ALL CATERING APPLICATIONS.  
EXPLORE OUR WIDE RANGE OF KIOSKS AVAILABLE  
FOR SALE TO ENHANCE YOUR BUSINESS!

# “Gabrielle” 6M X 2,5M (15SQM)/ 20ft x 8 ft (160ft<sup>2</sup>)



07551 398823



info@mobileunits.co.uk



www.mobileunits.co.uk

KIOSK – SUITABLE FOR ALL CATERING APPLICATIONS.  
EXPLORE OUR WIDE RANGE OF KIOSKS AVAILABLE  
FOR SALE TO ENHANCE YOUR BUSINESS!

**“Brooke”**  
**6M X 2,5M (15SQM)/**  
**20ft x 8 ft (160ft<sup>2</sup>)**



07551 398823



info@mobileunits.co.uk



www.mobileunits.co.uk

KIOSK – SUITABLE FOR ALL CATERING APPLICATIONS.  
EXPLORE OUR WIDE RANGE OF KIOSKS AVAILABLE  
FOR SALE TO ENHANCE YOUR BUSINESS!

**“ANDREW”**  
**6M X 2,5M**  
**(15SQM)**  
**20ft x 8 ft**  
**(160ft<sup>2</sup>)**



KIOSK – SUITABLE FOR ALL CATERING APPLICATIONS.  
EXPLORE OUR WIDE RANGE OF KIOSKS AVAILABLE  
FOR SALE TO ENHANCE YOUR BUSINESS!

# “OSCAR” 10X2,5 (25M2) /32FT X 8 FT (256FT2)



07551 398823



info@mobileunits.co.uk



www.mobileunits.co.uk

**5M X 5M (25SQM)/  
16ft x 16ft (256ft2)**

**“MARGARET”**



EVERYTHING YOUR KIOSK NEEDS  
MODERN FURNITURE, SMART LAYOUTS AND FUNCTIONAL EQUIPMENT  
— BUILT TO ATTRACT CUSTOMERS AND BOOST SALES.



07551 398823



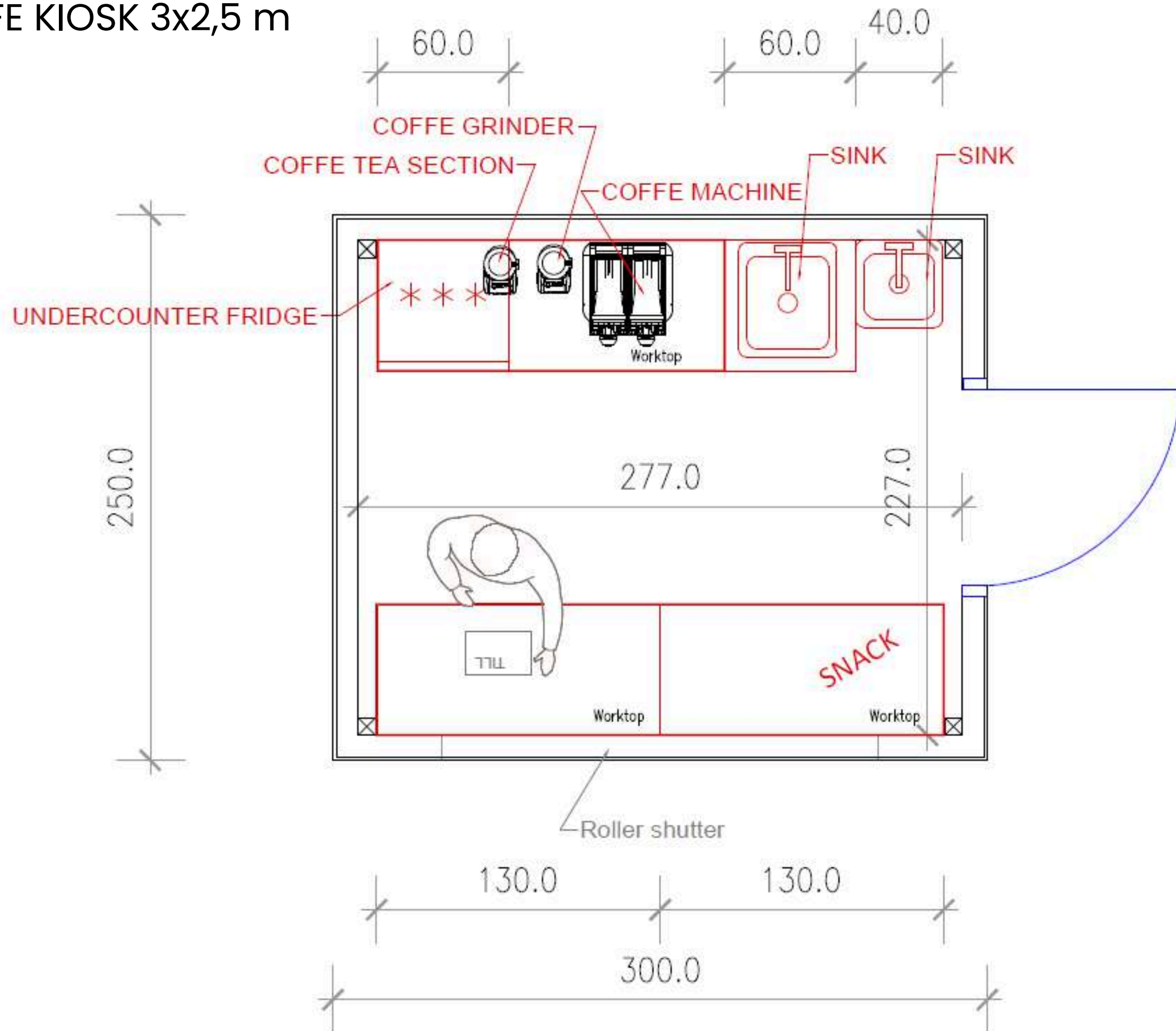
info@mobileunits.co.uk



www.mobileunits.co.uk

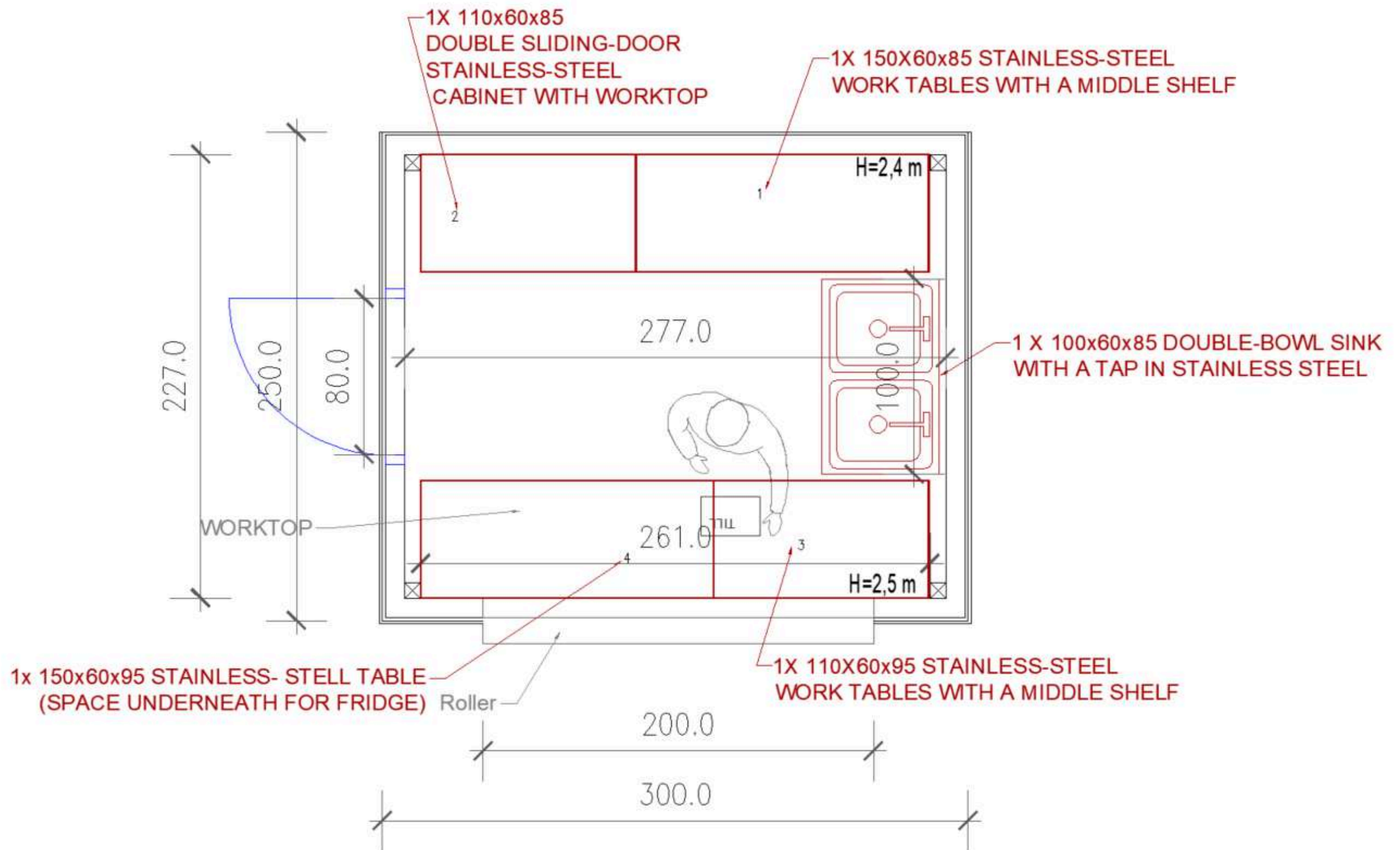
# FLOOR PLANS

## COFFE KIOSK 3x2,5 m



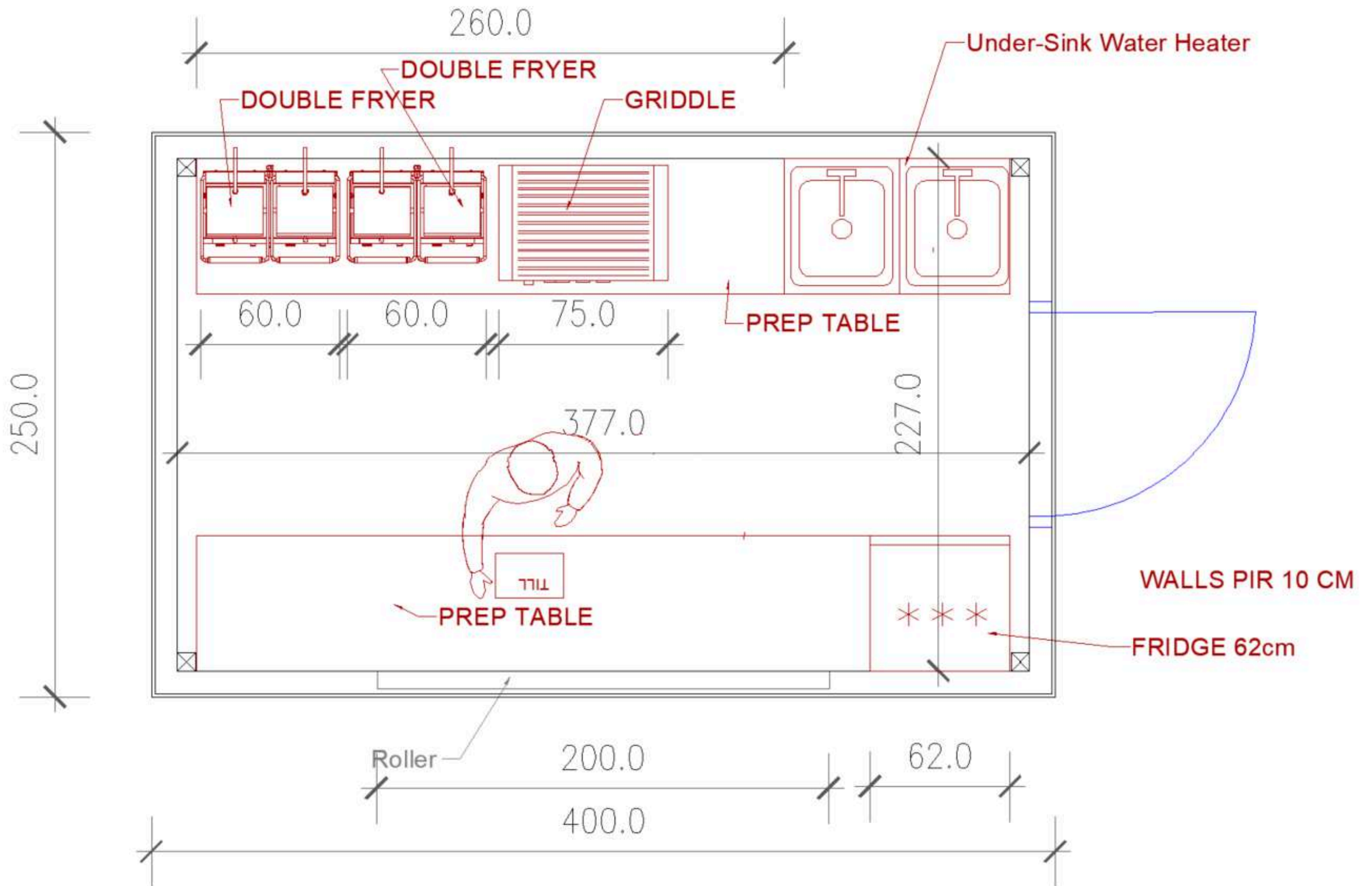
# FLOOR PLANS

## COFFE KIOSK 3x2,5



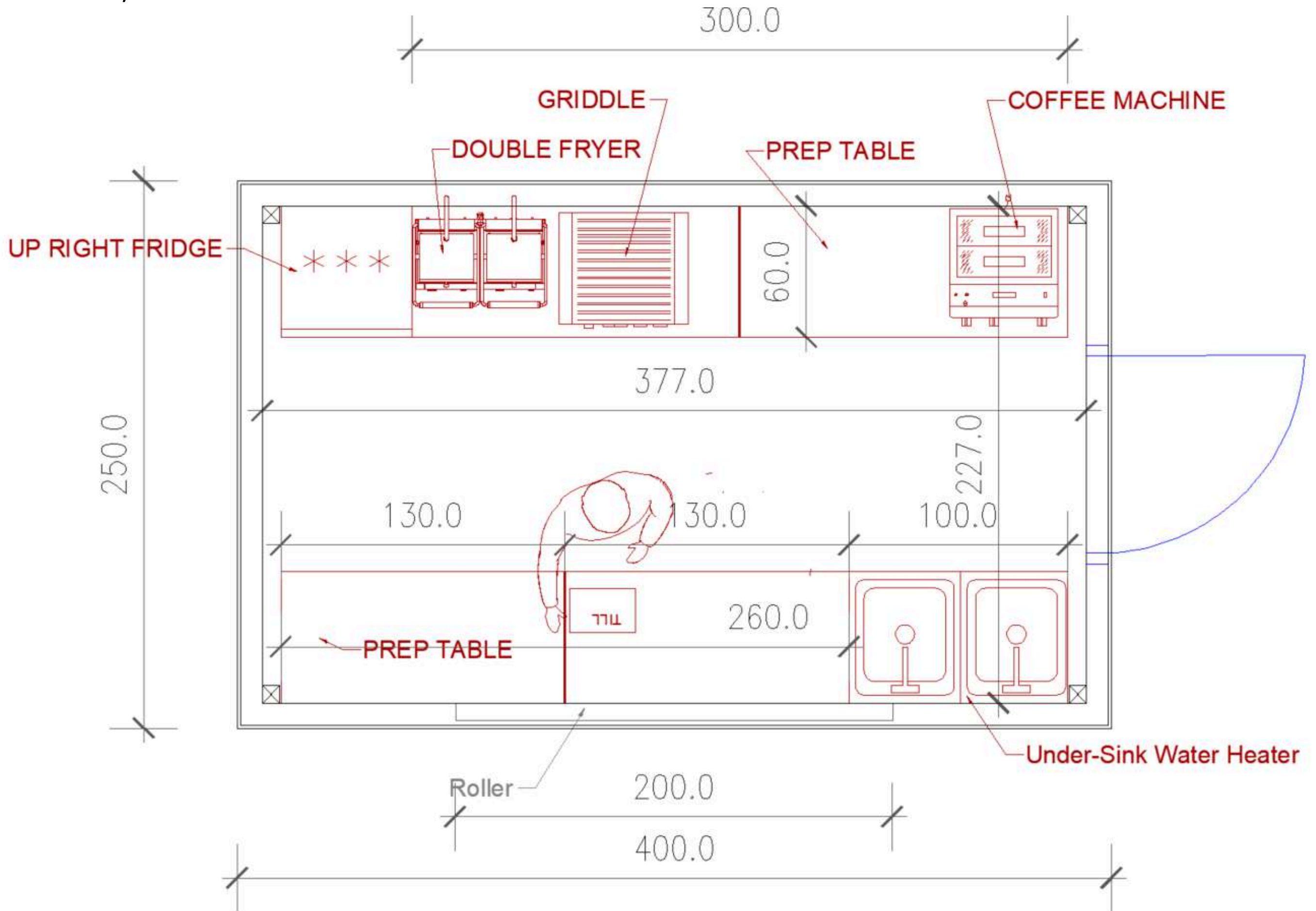
# FLOOR PLANS

4x2,5 m



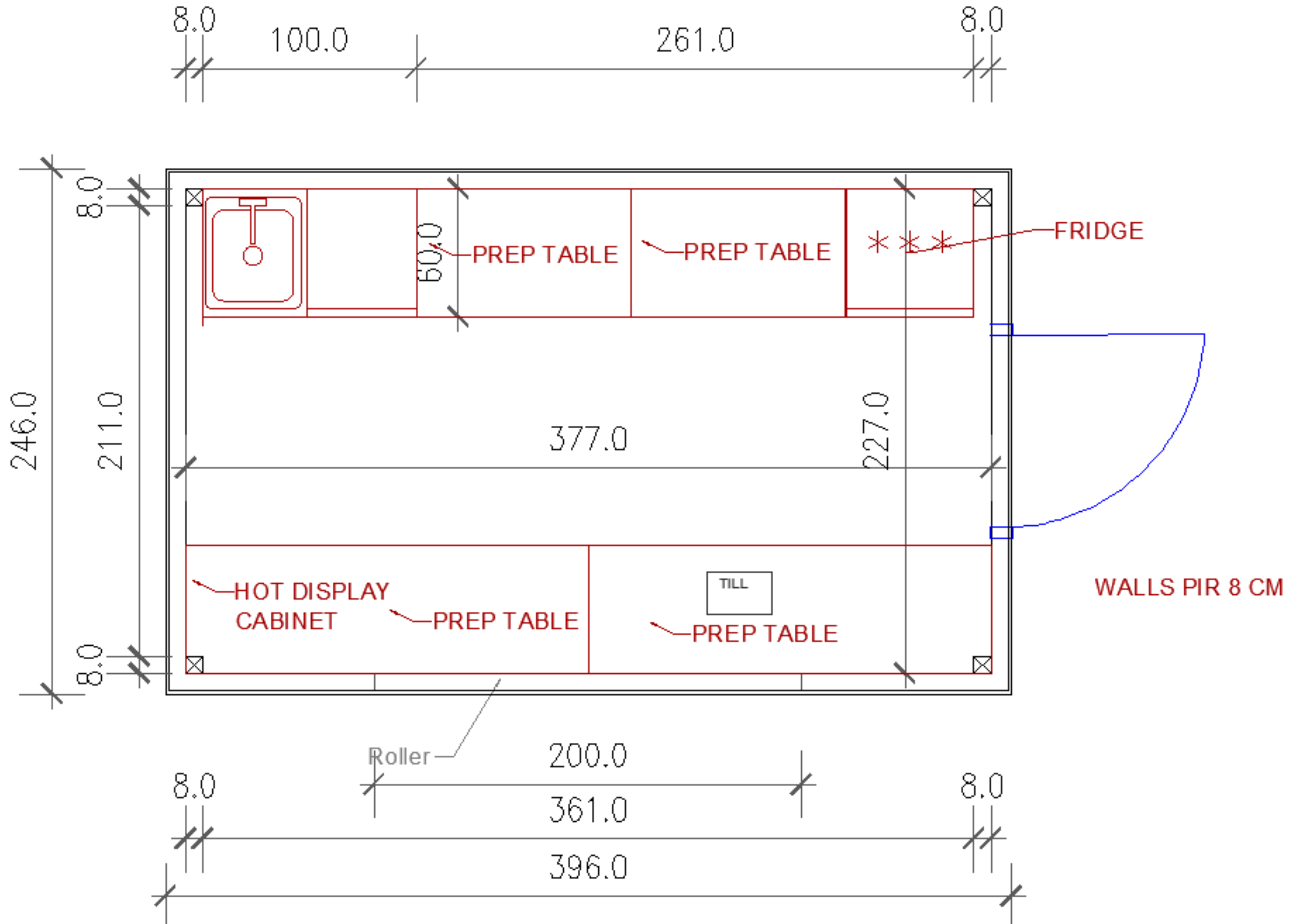
# FLOOR PLANS

4x2,5 m



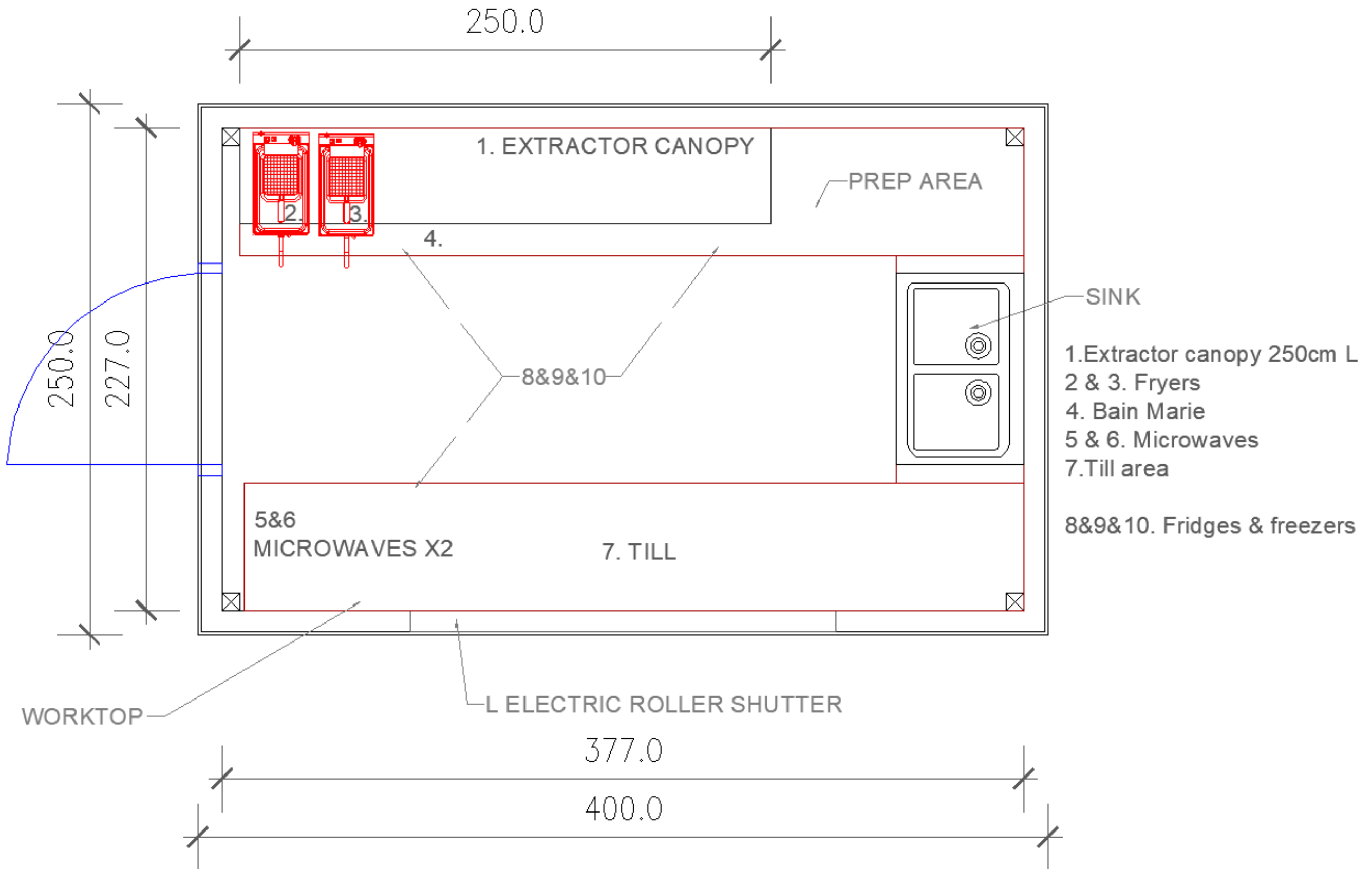
# FLOOR PLANS

4x2,5 m



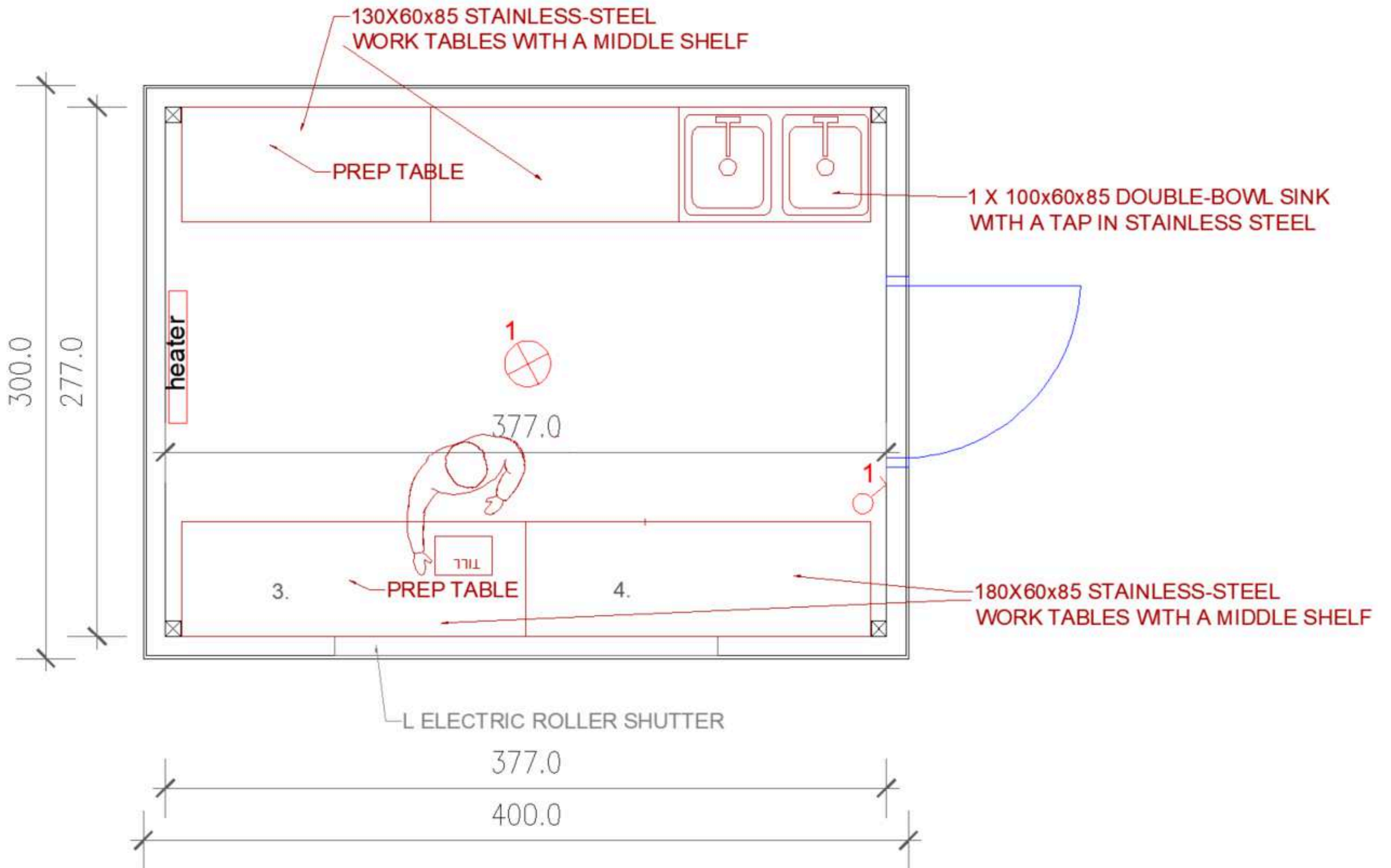
# FLOOR PLANS

4x2,5 m



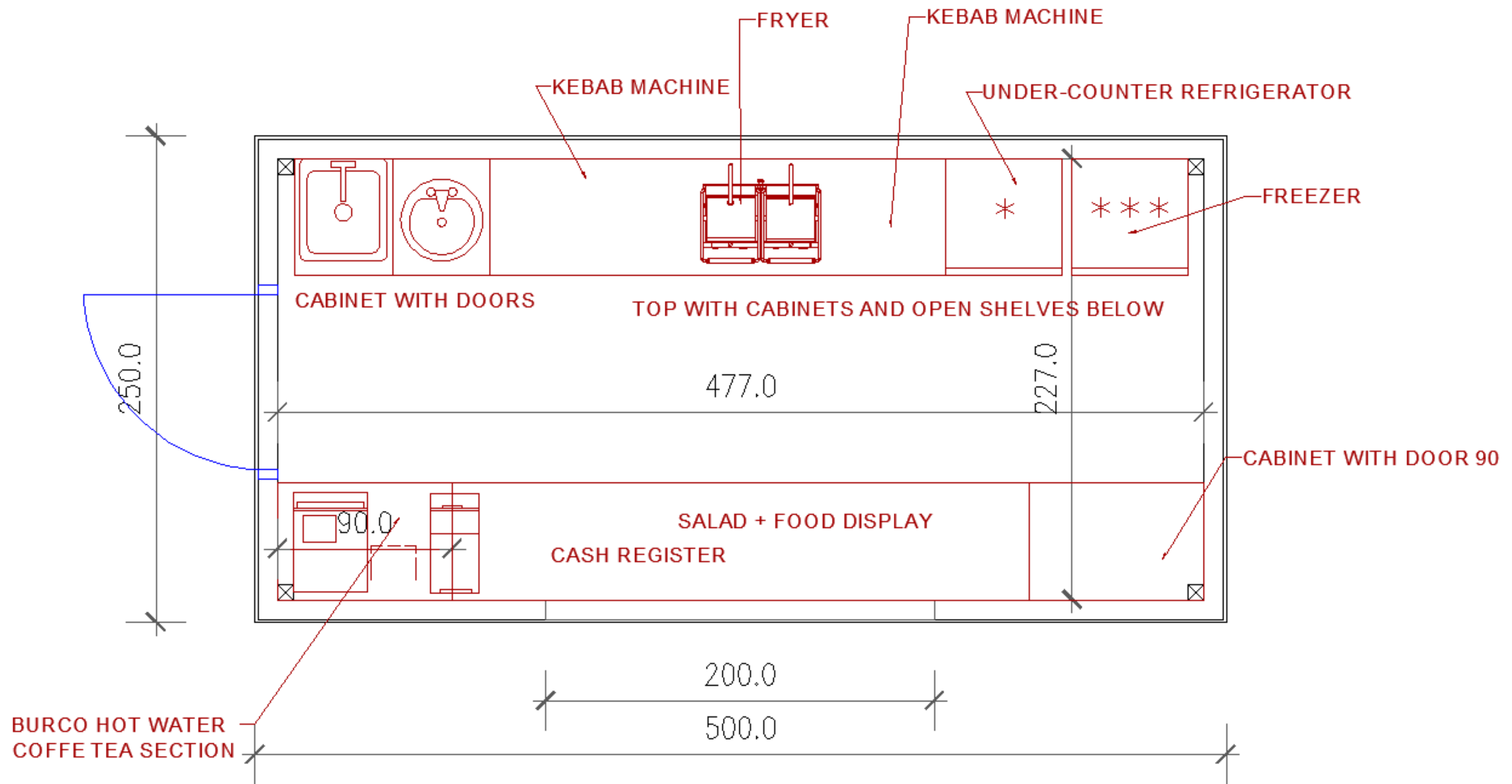
# FLOOR PLANS

4x3 m ten



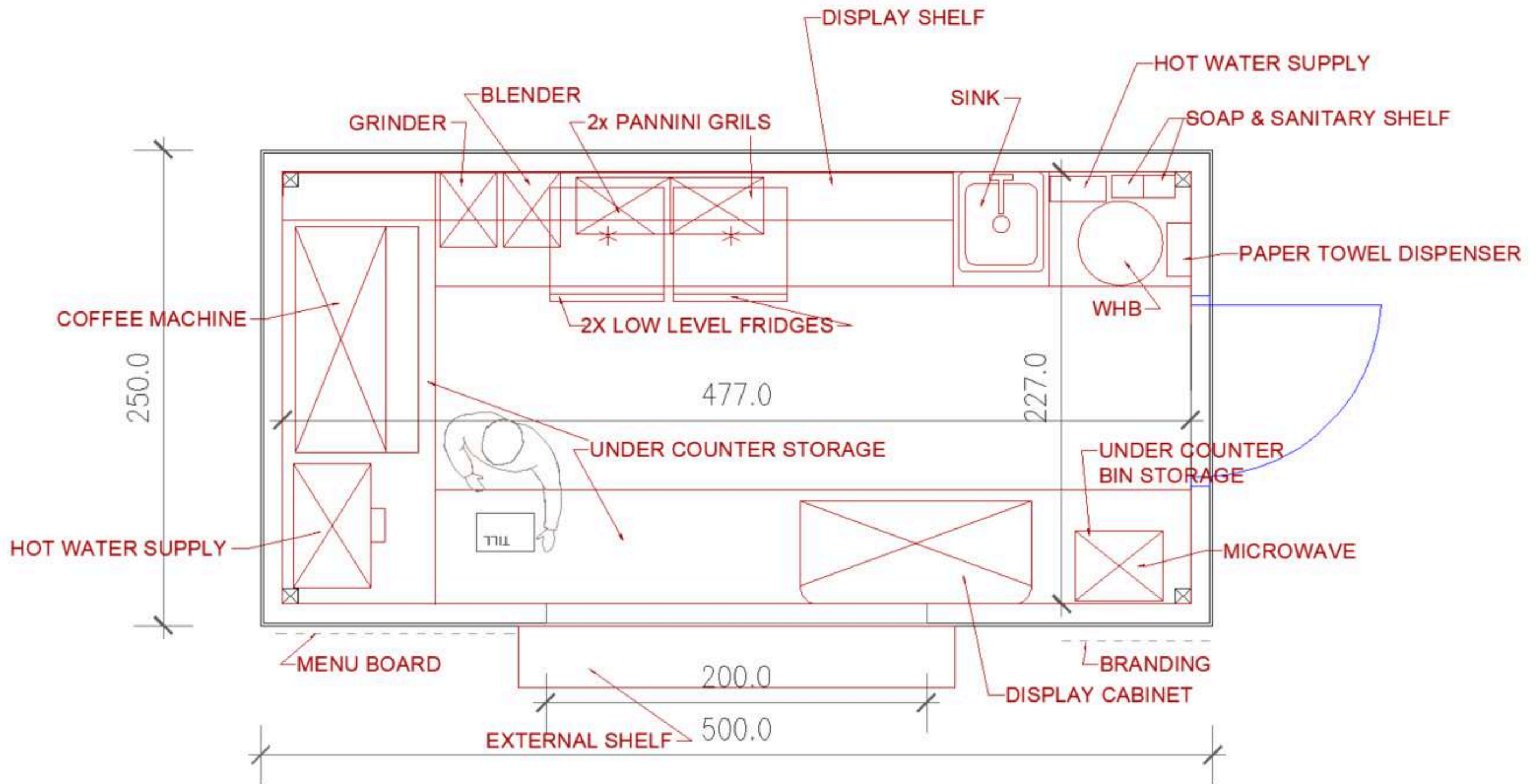
# FLOOR PLANS

## KEBAB 5x2,5 m



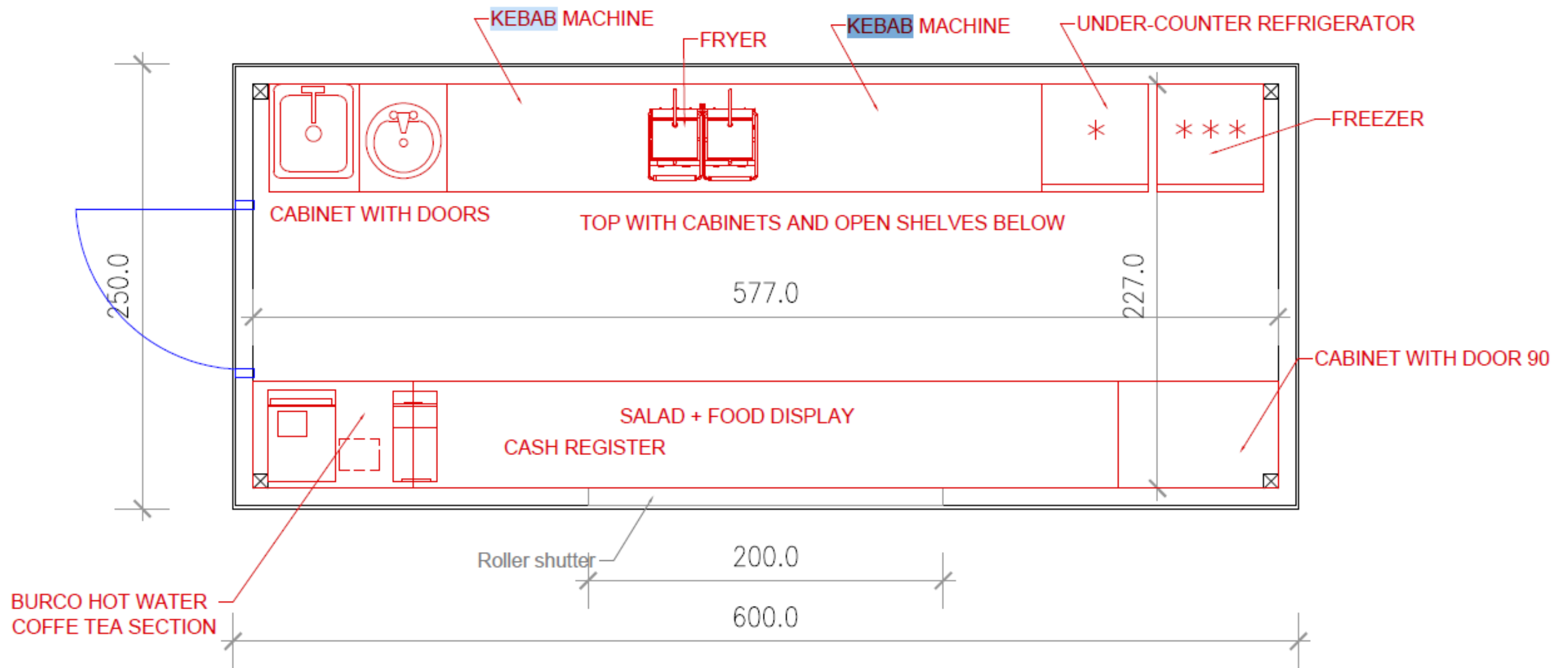
# FLOOR PLANS

## PANNINI 5x2,5



# FLOOR PLANS

## KEBAB 6x2,5 m



# FLOOR PLANS

6x3 m



**6M X 2,5M (15SQM)/  
20ft x 8 ft (160ft<sup>2</sup>)**



07551 398823



info@mobileunits.co.uk



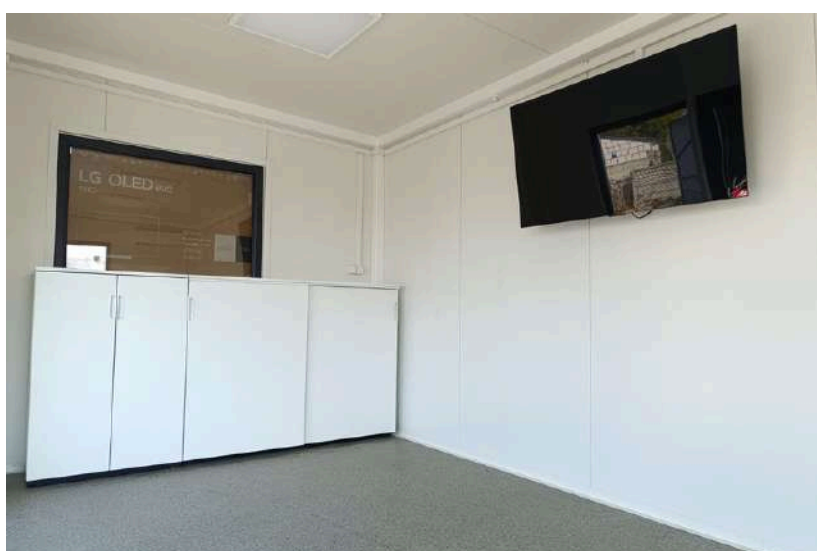
www.mobileunits.co.uk

# MOBILE UNITS LTD



Innovation solutions for Your business

## PORTABLE OFFICES



We're a family-owned producer specialising in modular buildings, kiosks and cabins. Combining decades of expertise with cutting-edge technology, we deliver high-quality, durable solutions tailored to your needs.

# Single Module Cabin – Your Versatile Modular Solution

Transform your space instantly with our Single Module Cabin, engineered for flexibility, durability and style. Perfect as a portable office, garden gym, retail unit or even a cosy studio flat.

## Available Sizes

- Lengths from 5 m (16 ft) up to 10 m (32 ft)
- Our best-seller: 6 m × 3 m (20 ft × 10 ft) for optimal space utilisation

## Endless Applications

Ideal for:

- Portable office
- Garden gym
- Retail pop-up
- Studio flat

## Premium Specifications

Double-glazed PVC windows & aluminium door for security and insulation  
PVC commercial lino flooring for effortless maintenance  
Fully insulated sandwich panels – comfortable year-round  
Durable steel frame with four roof eye-bolts for easy relocation  
Custom colour finishes to match your brand identity

## Customisable Extras

Make it uniquely yours with:

- Air-con unit & heating radiators
- Complete electric installation
- Integrated toilet or wet room modules

## Ready-to-Use Delivery

- Delivered on a truck as a fully pre-assembled unit – no on-site build required!
- Rapid installation: simply place, connect services, and you're ready to go.



**Scan the code  
and find us!**



Ready to Elevate Your Space?  
Call us now on +44 755 139 8823

 @MobileUnit

 [www.mobileunit.co.uk](http://www.mobileunit.co.uk)

EXPLORE OUR WIDE RANGE OF PORTABLE CABINS AVAILABLE  
FOR SALE TO ENHANCE YOUR BUSINESS

# “JCB” 6M X 3M (18SQM)/20ft x 10 ft (200ft<sup>2</sup>)



07551 398823



info@mobileunits.co.uk



www.mobileunits.co.uk

**“ANDY”**

**6M X 3M (18SQM)/  
20ft x 10 ft (200ft<sup>2</sup>)**



07551 398823



info@mobileunits.co.uk



www.mobileunits.co.uk

## “Enrica”

**6M X 3M (18SQM)/  
20ft x 10 ft (200ft<sup>2</sup>)**



07551 398823



info@mobileunits.co.uk



www.mobileunits.co.uk



EXPLORE OUR WIDE RANGE OF PORTABLE CABINS AVAILABLE  
FOR SALE TO ENHANCE YOUR BUSINESS

# "CITROEN" 6M X 3M (18SQM)/20ft x 10 ft (200ft<sup>2</sup>)



07551 398823



info@mobileunits.co.uk



www.mobileunits.co.uk



EXPLORE OUR WIDE RANGE OF PORTABLE CABINS AVAILABLE  
FOR SALE TO ENHANCE YOUR BUSINESS

**“KATE”**

**6M X 3M (18SQM)/20ft x 10 ft (200ft<sup>2</sup>)**



07551 398823



info@mobileunits.co.uk



www.mobileunits.co.uk

**"IAN KIA"**  
**10M X 3M (30SQM)/**  
**33ft x 10ft (330ft<sup>2</sup>)**

